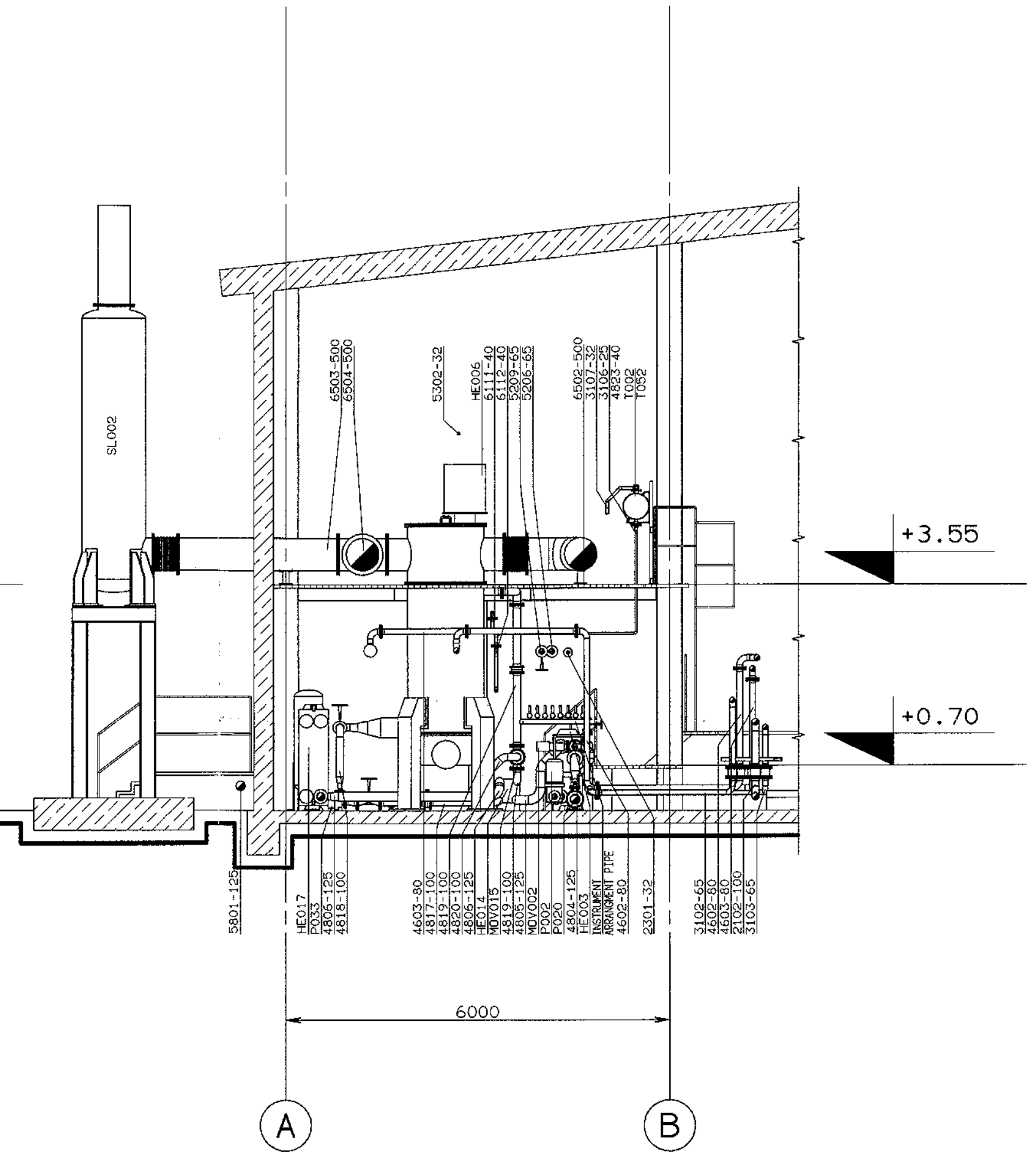
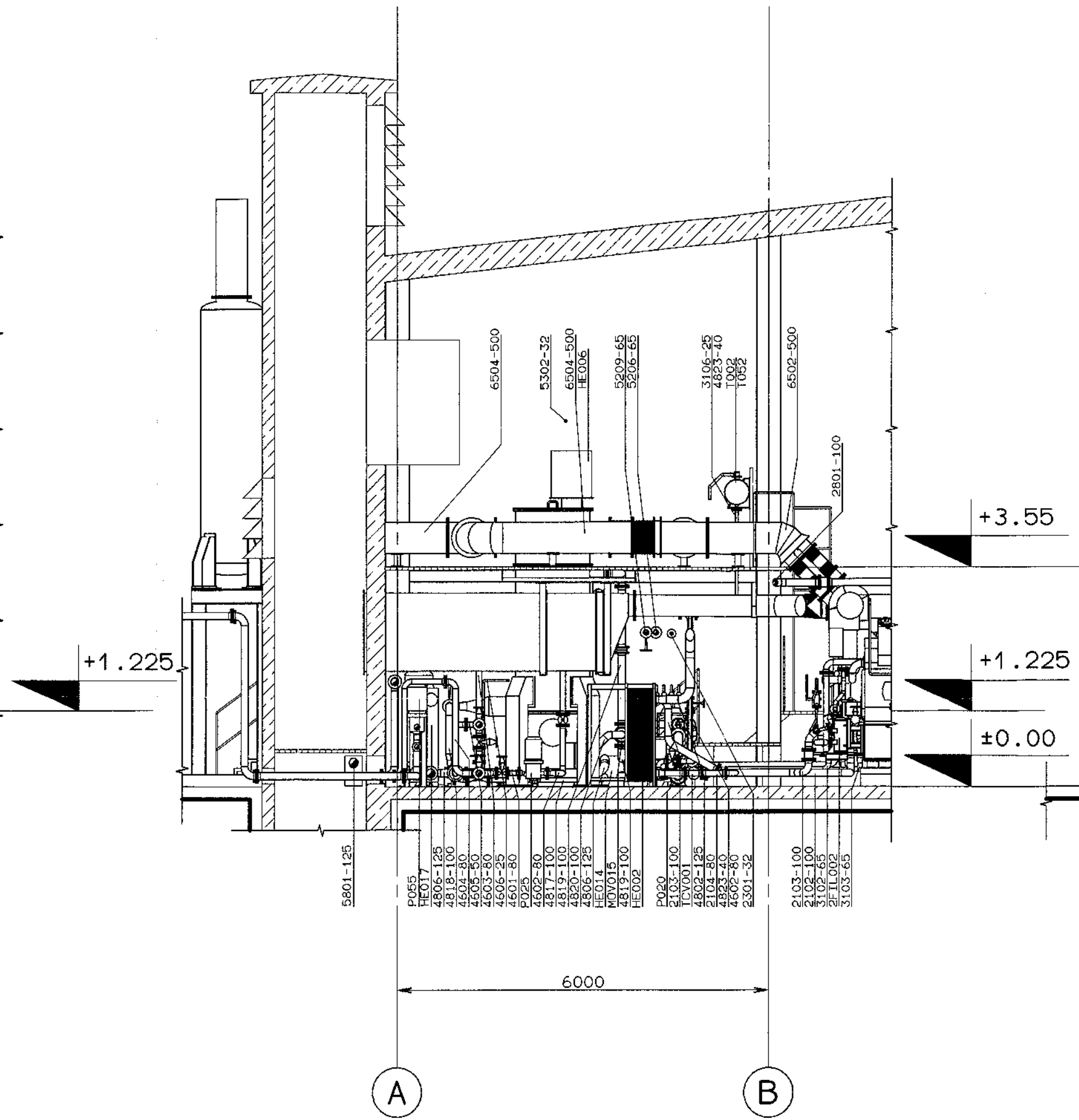
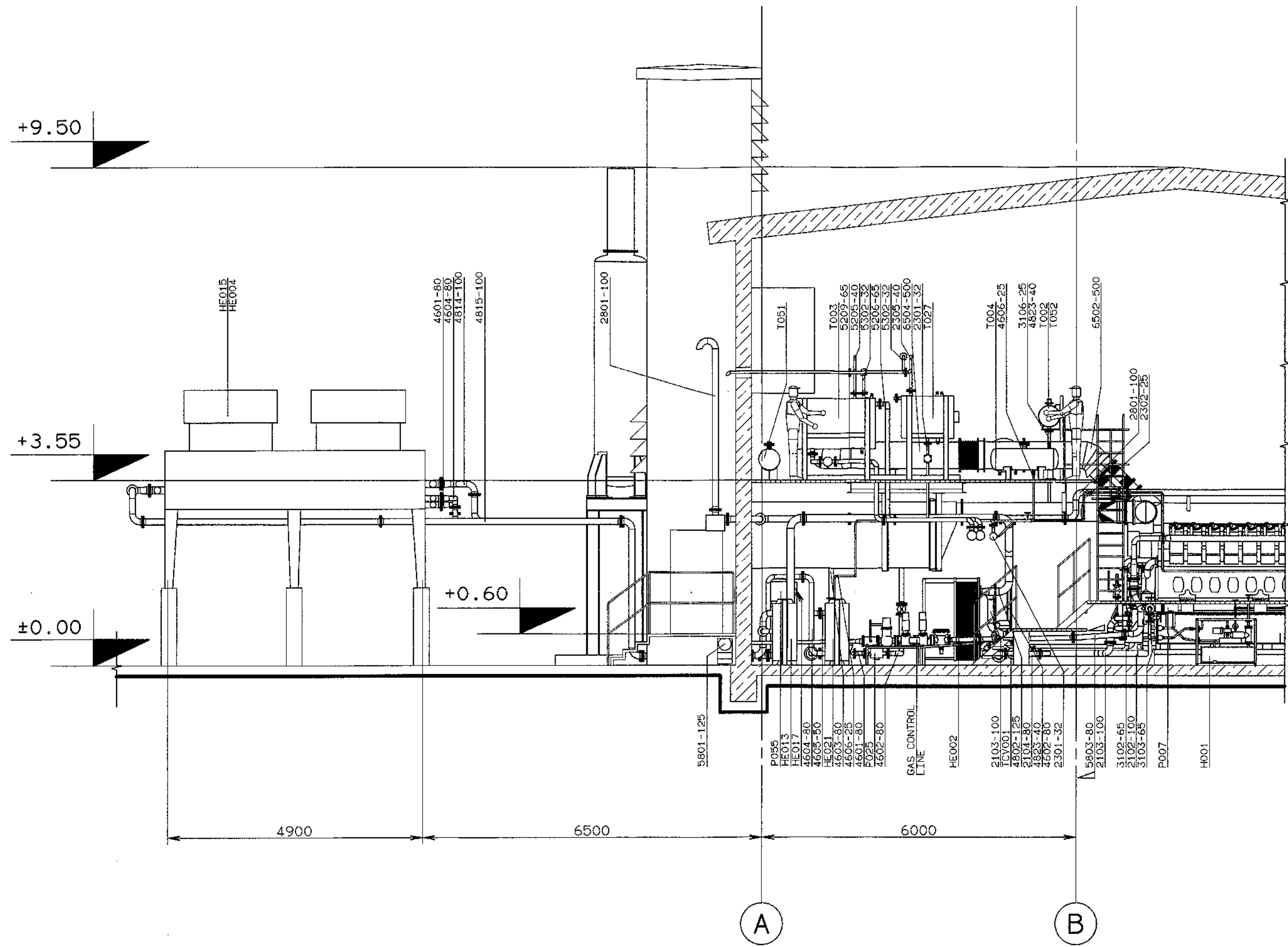


SECTION S1-S1

SECTION S2-S2

SECTION S3-S3



Maße ohne Toleranzangabe: B. istfkt. nach DIN 7182 Kontur nach DIN 6784 Oberfl. nach DIN 1503 1302		Dimensionen without tolerance indication: B. istfct. acc. DIN 7182 Edges acc. DIN 6784 Surface acc. DIN 1503 1302	
Zeichn.-Nr./Auftraggeber / Customer Eng. No.		Auftragsnummer / Customer Order No.	
F 12333		TYUMEN	
Obj.-Nr. / Case / Eng. No. Location		Werkstatt / Jobbing location	
11.0099/99		26.02 HAUSGUTLER	
Date / Drawing Date		Date / Issue Date	
1999		26.02	
Drawing No. / Drawing No.		Section No. / Section No.	
B11.78200-0304		04.02 WISSENSBAU	
Drawing No. / Drawing No.		Date / Issue Date	
B11.78200-0304		26.02	
Drawing No. / Drawing No.		Date / Issue Date	
B11.78200-0304		26.02	
Drawing No. / Drawing No.		Date / Issue Date	
B11.78200-0304		26.02	
Drawing No. / Drawing No.		Date / Issue Date	
B11.78200-0304		26.02	
Drawing No. / Drawing No.		Date / Issue Date	
B11.78200-0304		26.02	

INSTALLATION PLAN
SECTION S1-S1, S2-S2, S3-S3
B11.78200-0304