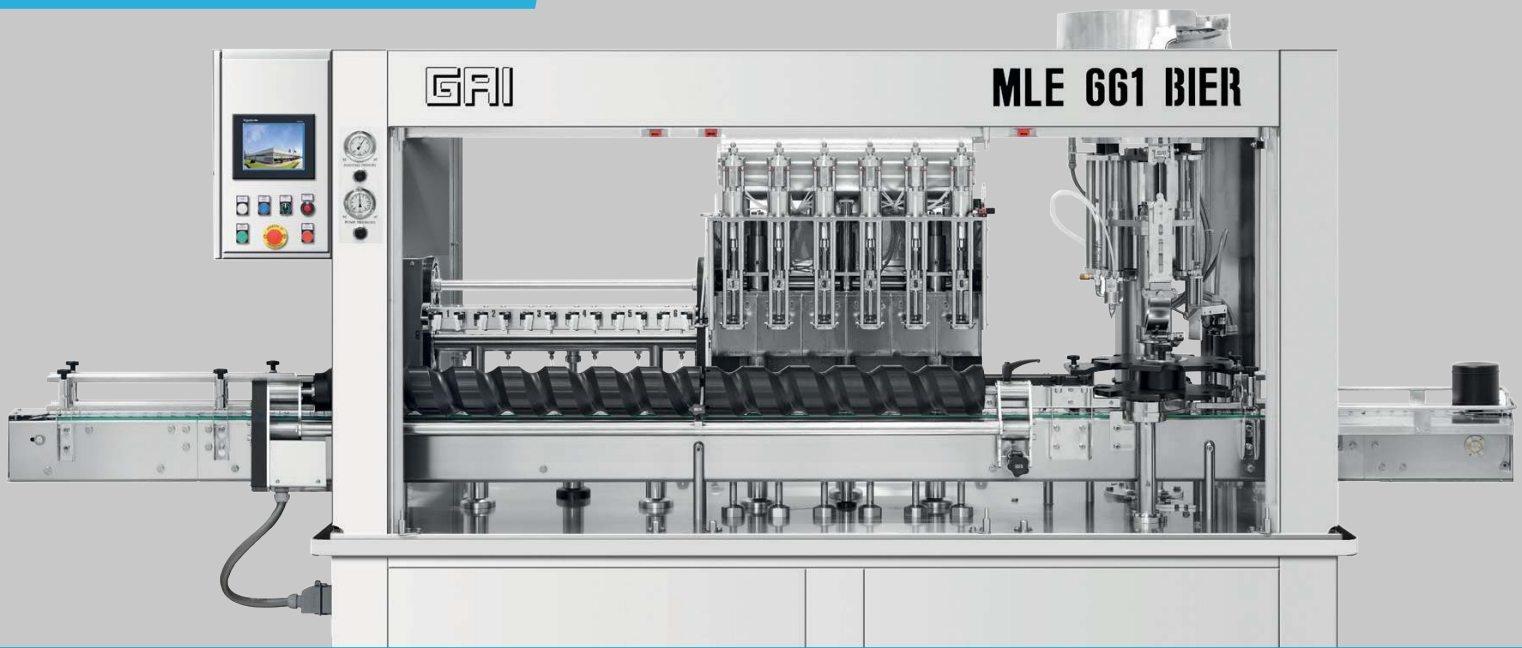


# PROSPERO



# GAI

## ELECTRO-PNEUMATIC FILLING

MLE 441 / 661 / 881 HP

MLE 441 / 661 / 881 BIER

### UNICA THE NEW FILLING VALVE

Prospero Equipment proudly presents the new GAI Electro-Pneumatic Filling Valve System. This is a state of the art filling valve that can fill both carbonated and non-carbonated products.

The MLE Monoblock is a Linear Fully Automatic bottling machine.

Made in Stainless steel with 4 or 6 nozzles for rinsing, 4 or 6 nozzles for filling and single head for crowning or corking. The machine has been designed to bottle high quality products using the new Electro-Pneumatic Filling Valve "UNICA"; patented in 2013 and able to work with still and sparkling products without compromises.

The design of the filling valve reduces the total packaged oxygen in the bottle and optimizes the speed production. Furthermore, it is possible to work with a considerable speed even if the product temperature is higher than 5 - 6°C (41 - 43F).

Attention to the design of each machine component and electro polishing procedures for all surfaces and piping during manufacturing.

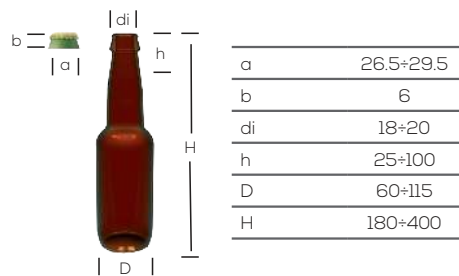
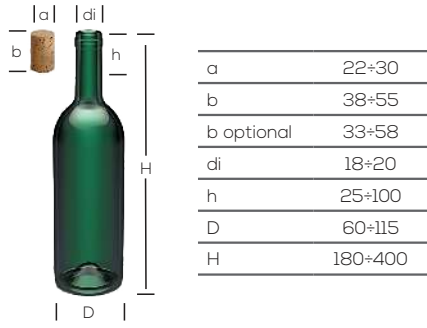
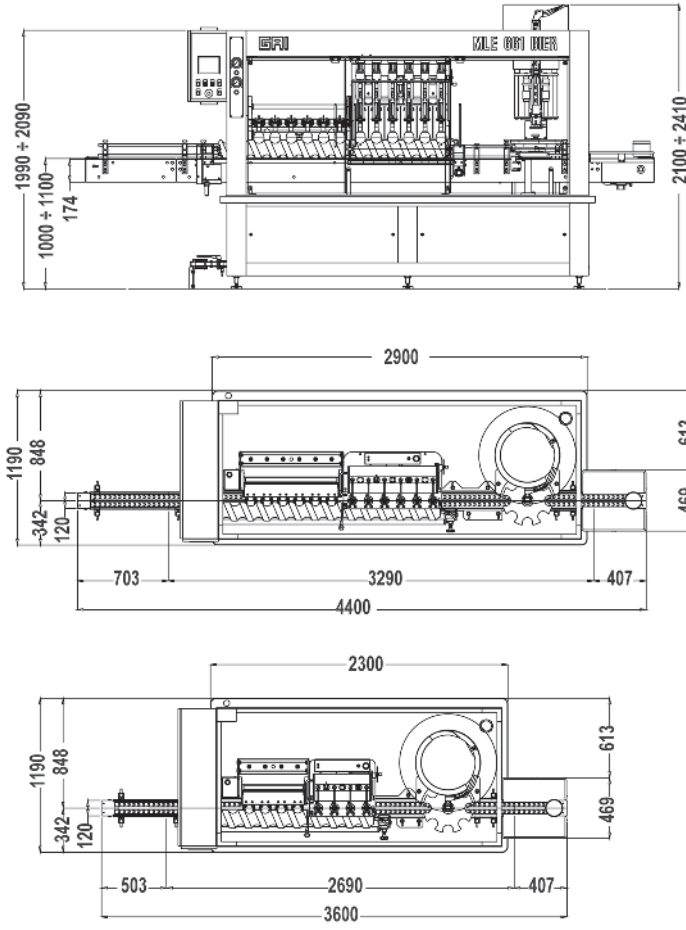
The MLE offers separate computer control management for each filling circuit that guarantee perfect filling operations and CIP cleaning capabilities.

A user friendly HMI provides the ability to check all the parameters during the filling cycle such as: pre evacuation, pressure, vacuum, filling levels and gas compensation cycles, temperature of product, etc...

The machine can be equipped with remote service assistance and web portal. The MLE has the ability to register and store information concerning: machine operations, filling, and cleaning cycles.

GAI's vast experience and the state-of-the-art technology in bottling machinery guarantee the best results at the maximum speed with the lowest annual maintenance cost.





\*Not binding data.

### Monoblock features:

- Electro Pneumatic Filling Valve Technology
- Controlled through color touchscreens 7" X 5 "
- Electrical height adjustment for all turrets
- Universal bottle in-feed screw
- Main parts with auto lubricating system
- Configured for remote service

### Rinsers main features:

- The rinsers nozzle enters into the bottle neck for 70mm
- The injection occurs only in bottle presence
- Universal floating jaws
- Dummy bottle for sterilization

### Filler main features:

- Centralized filling level control (25mm-100mm)
- Pressure tank controlled through PLC
- Bottle presence detector
- Filling cycle managed in live time viewing
- Ability to save all operating cycles, recipes, and washing cycles
- Number of de-aerations and vacuum degree in bottle managed from the touchscreen panel
- Self-Leveling Electro Pneumatic Filling Valve
- Dummies bottles for sterilization
- CIP cups for sterilization
- Electro Pneumatic Water Jet Fauber prior to crown capping

### Closure options:

- GAI 4270 Crown Capping Turret
- GAI 4140CH Corking Turret

FUNCTION		4-4-1	6-6-1	8-8-1
Rinsers	n.	4	6	8
Filler	n.	4	6	8
Capper	n.	1	1	1
Contropressure	bar/psi	0+8/0+115	0+8/0+115	0+8/0+115
Production Still wine	gal/h	139	198	251
Production Sparkling wine	gal/h	99	139	178
Production Still wine	bott./h	700	1000	1250
Referred to 0,75L bottle format	bott/min	12	17	20
Production Sparkling wine	bott./h	500	700	900
Referred to 0,75L bottle format	bott/min	8	12	15
Production Beer	bott./h	900	1200	1500
Referred to 0,33L bottle format	bott/min	15	20	25
Weight	Kg (lbs.)	1500 (3300)	1900 (4190)	2300 (5070)

